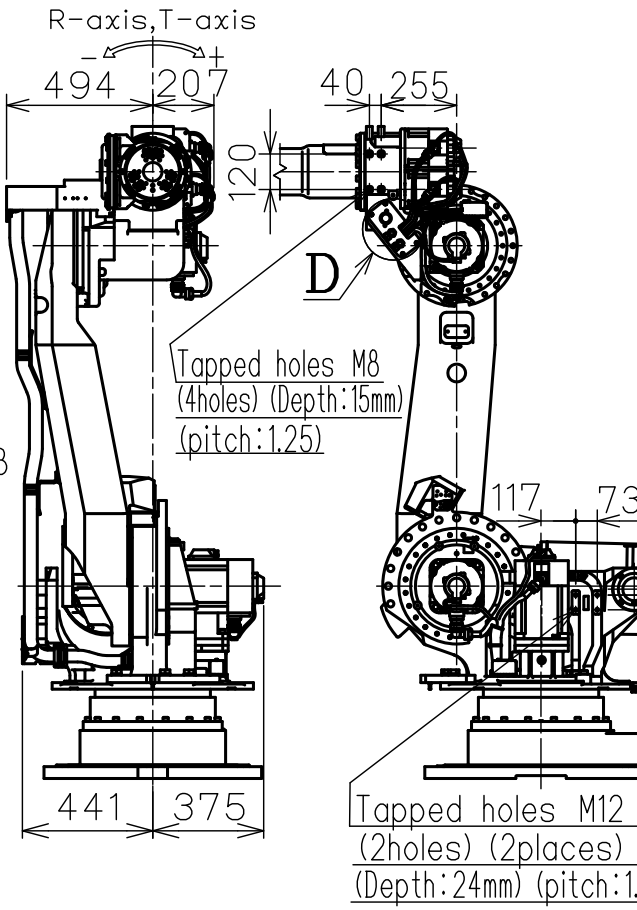
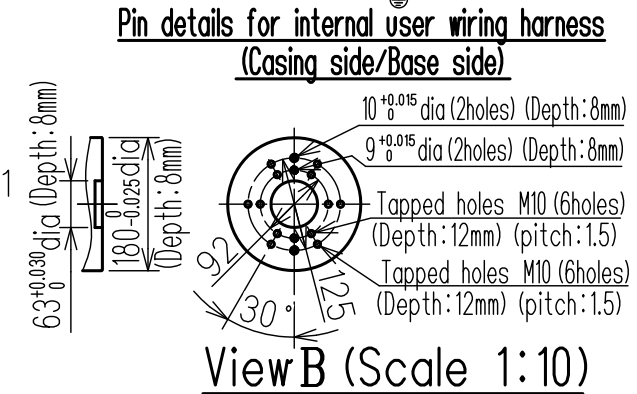
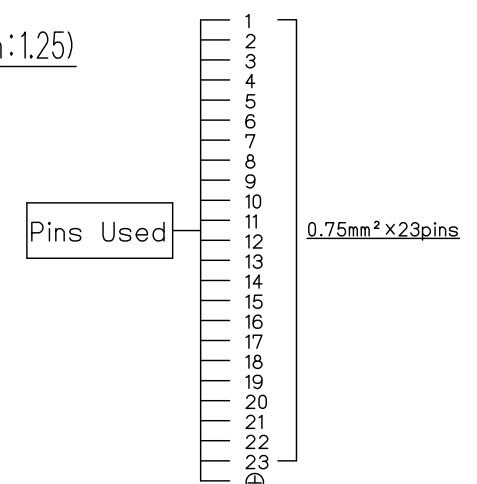
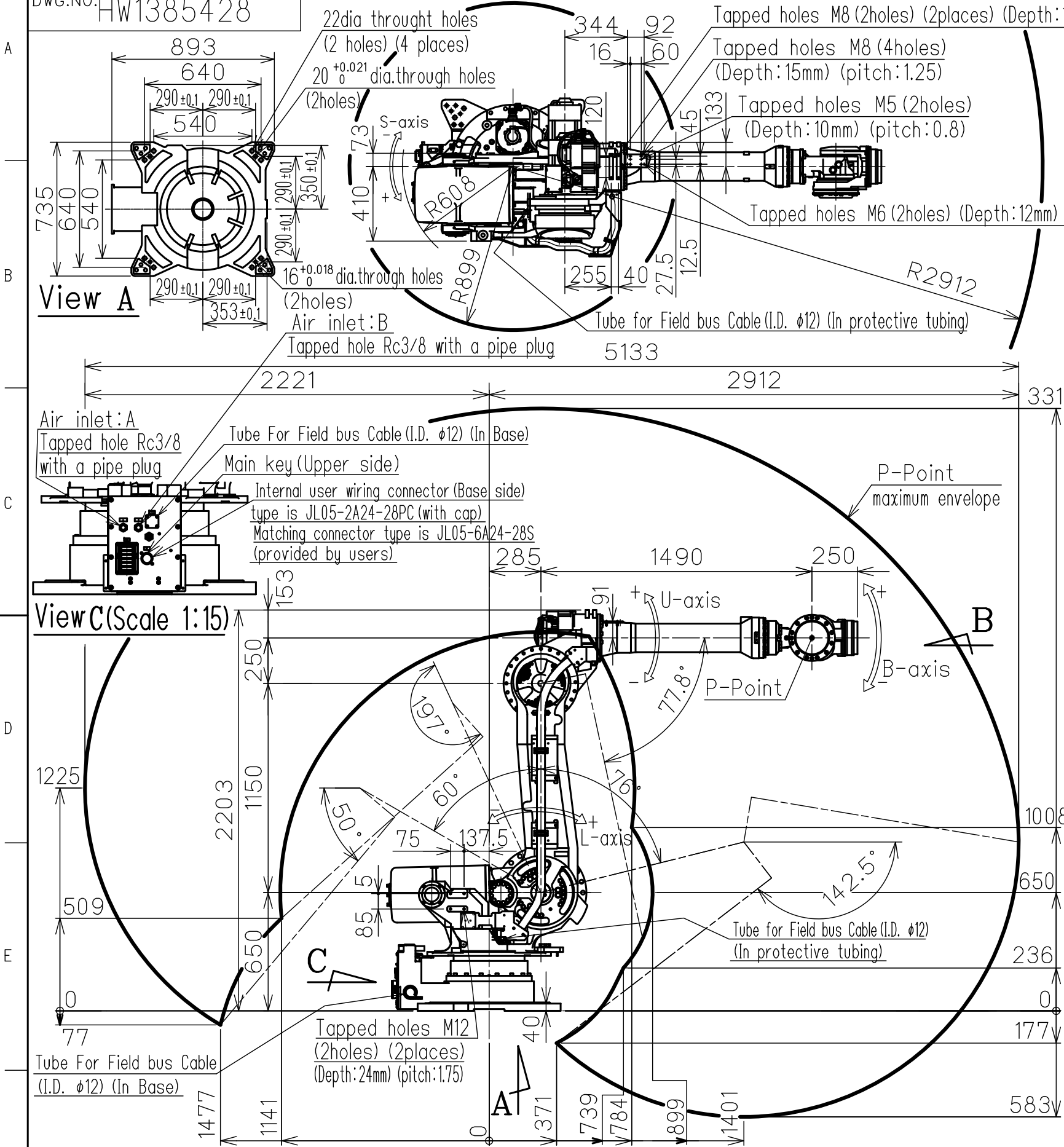


DWG.NO. HW1385428



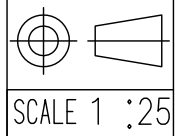
Item	Model	MOTOMAN-GP215
Configuration		Vertically articulated
Degree of Freedom		6
Payload	Wrist	215 kg
	On U-arm	50 kg
Repeatability (※1)		±0.2 mm
Range of Motion	S-Axis (Turning)	-180° - +180°
	L-Axis (Lower Arm)	-60° - +76°
	U-Axis (Upper Arm)	-77.8° - +197°
	R-Axis (Roll)	-360° - +360°
	B-Axis (Pitch/Yaw)	-125° - +125°
Max Speed	S-Axis	1.75 rad/s, 100°/s
	L-Axis	1.57 rad/s, 90°/s
Allowable Moment	R-Axis	1176 N·m (120kgf·m)
	B-Axis	1176 N·m (120kgf·m)
Allowable Inertia (GD ² /4)	R-Axis	317 kg·m ²
	B-Axis	317 kg·m ²
	T-Axis	200 kg·m ²
Approx. Robot mass		1340 kg
Protected structure		Body:IP54 Wrist:IP67
Mounting method		Floor-mounted
Ambient Conditions	Temperature	0 to +45°C
	Humidity	20 to 80%RH (Non-condensing)
	Vibration	4.9m/s ² (0.5G) or less
	Altitude	1000m or less
	Others	<ul style="list-style-type: none"> Free from explosive or corrosive gas and liquid. Free from dust, soot, oil, or water. Free from electrical noise. Free from strong magnetic fields.
Power Requirements		5.0kVA
Controller		YRC1000

※1 Repeatability is conformed to ISO 9283.
 ※2 The manipulator is in the home position.
 Units:mm

Type	Note
YR-1-06VX215-A00	STANDARD

Note:
 1. All rights reserved.
 2. Please note that the data is subject to be deleted without advance notice.
 3. No warranty is given in relation to the data including the specification.
 4. We are not responsible for any damages or loss caused by the use of the data.

FOR STUDY PURPOSE ONLY



Reference Drawing

TITLE MOTOMAN-GP215
 DIMENSION DIAGRAM

DRWN DATE Oct.03.'17
 DWG.NO. HW1385428

SIZE A3